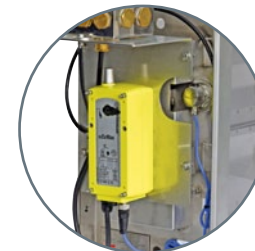
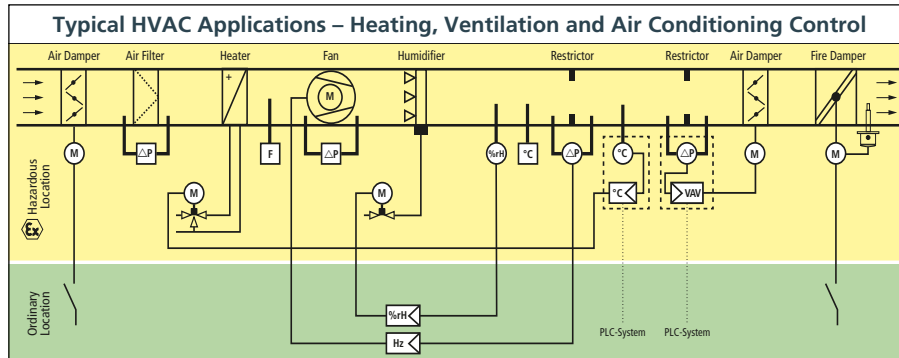


rotork®

HVAC

Redefining HVAC



ELECTRIC



PNEUMATIC

Electric Solutions					
Series	Application	Description	Models	Performance	Key Features
rotork® Controls rotork® SCHNEIDER	ExMax Range Air-dampers and Quarter-turn Valves	Quarter-turn explosionproof actuators for air, fire and smoke dampers automation	ExMax, RedMax, InMax	Torque Range 5 up to 150 Nm (45 up to 1.350 lbf-in)	<ul style="list-style-type: none"> Hazardous locations zone 1, 2, 21, 22/Div 1, 2 (InMax for safe areas) Fast operating speeds (1 sec.) Universal power supply Stainless steel and marine/offshore painted solutions Easy installation
rotork® Controls rotork® SCHNEIDER	ExMax+LIN & ExRun Series Linear Valves	Linear explosionproof actuators for automation of all kind of linear valves	ExMax..+LIN, ExRun/RedRun/InRun	Thrust range 500 up to 10.000 N (110 up to 2.200 lbf)	<ul style="list-style-type: none"> Hazardous locations zone 1, 2, 21, 22/Div 1, 2 (InMax+LIN/InRun for safe areas) Universal power supply Marine/offshore painted solutions Easy installation
rotork® Controls rotork® SCHNEIDER	IQT Range Air-dampers and Quarter-turn Valves	Electric actuator for all quarter-turn valve applications requiring control and flexibility	IQT125, IQT250, IQT500, IQT1000, IQT2000	50 up to 2.000 Nm (37 up to 1.476 lbf-in)	<ul style="list-style-type: none"> Intelligent communication options with multilingual display Isolating/regulating Non-intrusive set-up Digital, analogue or Bus Remote Control Self locking output
rotork® Controls rotork® SCHNEIDER	CVA/CMA Range Process control valve and pump applications	Control valve and compact modulating actuators, linear, quarter-turn and rotary	CVL-500/1000/1500/5000 CVQ-1200/2400 CML-100/250/750 CMQ-250/500/1000 CMR-50/100/200/89/125/250 50/100/200/89/125/250	Linear: Thrust range 890 up to 22.241 N (200 up to 5.000 lbf) Rotary: Torque range 54 up to 271 Nm (480 up to 2.400 lbf-in) ¼-turn: up to 113 Nm (1.000 lbf-in) rated torque and 124 N (1.100 lbf-in)	<ul style="list-style-type: none"> High performance, continuous unrestricted modulating duty – S9 (CVA) Non-intrusive setup/calibration using <i>Bluetooth®</i> wireless technology (CVA) Comprehensive datalogging (CVA) Precise control and continuous modulation (CMA) Easy set-up via 6-segment LCD display and pushbutton configuration (CMA) Options: Local controls and fail-to-position Rotork Power Pack (CMA)
rotork® Controls rotork® SCHNEIDER	ROM/ROMpak Range Small ball valves and butterfly valves, as well as air-dampers and ventilation louvres	Quarter-turn direct drive actuators	ROM-A/ROM-1/ROM-2,3/ROM-4,5&6 ROMpak-A/ROMpak-1/ROMpak-2,3/ROMpak-4,5&6	Torque range 35 up to 650 Nm (25 up to 480 lbf-in)	<ul style="list-style-type: none"> Small, compact and lightweight Efficient yet simple gearing On - Off Single-phase, three-phase and DC versions
Manual Solutions					
Series	Application	Description	Models	Performance	Key Features
rotork® Gears rotork® SCHNEIDER	Rotork Gears Air-dampers and Valves	Quarter-turn worm gearboxes	300 Range 232 Range 242 Range FB Range	300 Range: Stainless steel; Torque up to 1.000 Nm (738 lbf-in) 232 Range: Cast aluminum; Torque up to 1.500 Nm (1.106 lbf-in) 242 Range: Cast iron; Torque up to 2.100 Nm (1.858 lbf-in)	<ul style="list-style-type: none"> Robust, light weight and cost-competitive quarter-turn gearboxes Solutions for gearboxes, valve adaption and accessories Suitable for HVAC, fire protection and general industrial applications

Pneumatic Solutions					
Series	Application	Description	Models	Performance	Key Features
 GT Range 	Air-dampers and Valves	Small rack and pinion pneumatic actuators	GT - series	Torques 2,4 up to 5.800 Nm (43 up to 49.560 lbf-in)	<ul style="list-style-type: none"> • Single- and double-acting pneumatic piston actuators • Standard 90°, 120°, 180° and 240° upon application • 90° position from -5° to +5° • 2 to 10 bar air supply
 RC Range 	Air-dampers and Valves	Small scotch yoke actuator	RC200 - series	Torque output up to 4.400 Nm (38.700 lbf-in)	<ul style="list-style-type: none"> • Single- and double-acting pneumatic piston actuators • Scotch yoke actuators • Optional electro/hydraulic versions • Optional manual override
 K-TORK Range 	Air-dampers and Valves	Vane actuators	K-TORK - series	Torque outputs up to 18.300 Nm (155.000 lbf-in)	<ul style="list-style-type: none"> • Double-acting and spring-return configurations • Provides high torque output in a compact size • The dual-opposed lip seals eliminate all pressure-retaining o-rings in the actuator
Instruments and Accessories					
Series	Application	Description	Models	Performance	Key Features
 ExReg Controller System 	Designed for use in Ex areas for all gases, mists, vapours and dust	HVAC controller unit for hazardous locations	ExReg, RedReg, InReg	0 up to 300 Pa (VAV)	<ul style="list-style-type: none"> • Hazardous locations zone 1, 2, 21, 22 (InReg for safe areas) • Decentralized control structures • Integral PID loop • Predefined settings, predefined damper characteristics • Stainless steel and marine/offshore painted solutions
 ExCos, ExBin Sensors 	Modulating and binary sensors	Modulating (ExCos) and binary (ExBin) sensor series for hazardous locations for differential pressure, temperature and humidity control applications	ExCos, RedCos, InCos; ExBin, RedBin, InBin	Measuring range: Temperature: -40 up to +125 °C (-40...257 °F) Pressure: 0 up to 100 Pa (0...0,4" wg) 0 up to 5.000 Pa (0...20" wg) Humidity: 0 up to 100 %rH	<ul style="list-style-type: none"> • Hazardous locations zone 1, 2, 21, 22 (InCos/InBin for safe areas) • No transducer in panel needed • No intrinsic safe circuits needed • Actuator value indication • Easy parameterization • Stainless steel and marine/offshore painted solutions
 Soldo Controls 	Actuators, valves, or in conjunction with a hand wheel or lever	Switchboxes and Control Unit	SP Series, SK/SQ Series	Housing variants: Plastic, aluminium, stainless steel	<ul style="list-style-type: none"> • Remote electrical indication of linear valve/actuator position • Omega control unit combines a compact enclosure with limit switches, visual indication and integral solenoid for position plus valve actuator control • Enhances instrumentation and valve performance and control
 Rotork Midland 	HVAC and fire protection systems	Stainless steel positioners and pneumatic components	ACS: Filters, Pressure and Filter Regulators Landon: Free Fall Fire Valves, Gas Safety Panels, Level Control Equipment	ACS: Input pressures from 0 up to 20 bar; Regulated Pressure Range from 0,5 up to 12 bar	<ul style="list-style-type: none"> • Specialist manufacturer of stainless steel large flow air service equipment for filtration and regulation of compressed air and gases for the actuation industries • Enhances instrumentation and valve performance and control
 YTC 	Pneumatic actuators and control valves	Positioners to control damper and valve position	E/P: YT-1000/1050 P/P: YT-1200 Smart: YT-2500/2550, YT-2600, YT-3300/3350, YT-3400/3450	E/P, P/P: Lin. ± 1...2 %, Hys. ± 1%, Sens. ± 0,2...0,5%, Rep. ± 0,5% Smart: Lin. ± 0,5 %, Hys. ± 0,5 %, Sens. ± 0,2 %, Rep. ± 0,3%	<ul style="list-style-type: none"> • Robustness • Auto calibration • PID parameters • Communication protocols

